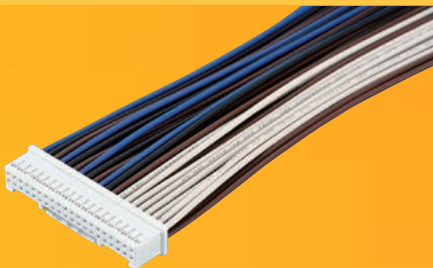


Other Products



Others 7-2

- ▶ Vacuum Generator Unit 7-2
- ▶ PCIO Communication Unit 7-3
- ▶ Bolt / Nut / Washer 7-4

Quick Chuck Change

Quick Chuck Change (Manual)

Tool Changer

Automated Chuck Exchange System

Grip

Mini Cylinder

Accessories for Mini Cylinder

Container Cylinders

Accessories for Container Cylinder

Grippers

Buffer Material

Suction

Suction Cups

Suction Stem

Pad in Pad

Air Ejector / Filter / Check Valve

Micro Mold E.O.A.T

Cut

Mini Air Nippers

Air Nippers

Frame/Module

Jungle Gym

Let's Joint

Rectangular Tube

Base Aluminum Material

Sliding Chuck

Tubing/Sensors

Tubing

Sensors

Other Products

Others

Information



Vacuum Generator Unit

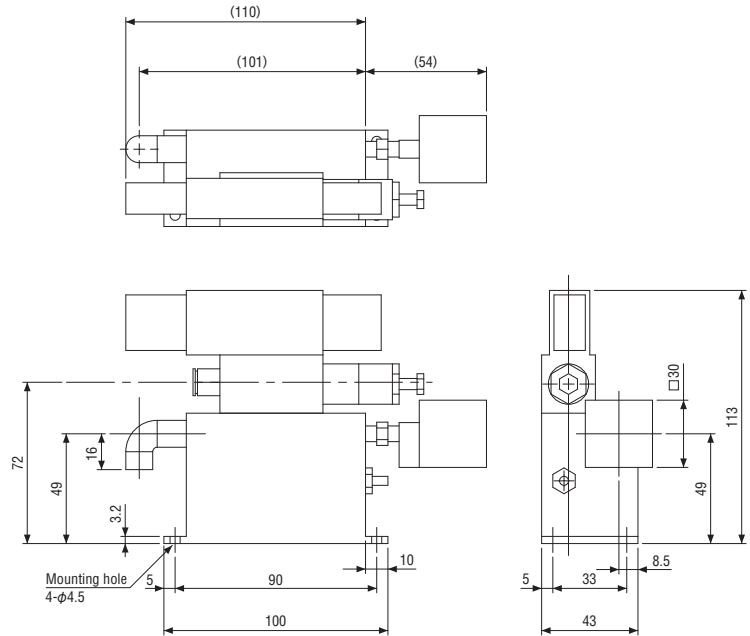
Supplying dry air allows easy generation of vacuum pressure.

Not available on our online shop site. Please contact our nearest sales office to make purchases.



Order code No.	210804
Standard	V51-100-8283

● Weight : 800g



■ Specification

Fluid to be used	Pressure air regulated by air regulator with 74μ or less of filter.
Pressure	0.35 ~ 0.5MPa
Vacuum pressure	-0.079MPa or more (supply pressure 0.5MPa)
Suction flow rate	18 ± 1.5 dm ³ /min ANR (supply pressure 0.4MPa)
Air consumption	30 - 40dm ³ /min ANR (supply pressure 0.4MPa)
Weight	Approx. 1.0kg
2-port solenoid valve	2-port solenoid valve
Solenoid	Double solenoid
Response time	0.05sec or less
Specific voltage	DC24V
Power consumption	1.8W
Fluctuation rate of allowable voltage	$\pm 10\%$
Type of insulation	B type

■ Vacuum pressure sensor with display

Type	PG-30-102R-N (Copal Electronics)
Power supply voltage	10 to 30VDC (ripple included)
Protection grade	IP65 (connector not included)
Output 1	NPN open collector, 30VDC max. (100mA max.)
Residual voltage	1.2VDC max. (load voltage 100mA)
Output setting pressure	-53.3 \pm 5kPa (power supply voltage DC24V, ambient temperature 25 \pm 5 $^{\circ}$ C)
Output hysteresis setting	13.3kPa
Operation mode	Output transistor ON, red LED lighted when negative pressure exceeds the preset pressure. (On display, "-" lights under negative pressure).
Output 2	Linear output (1-5VDC)



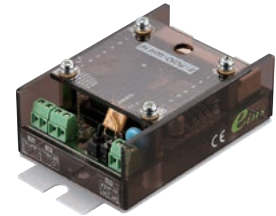
PCIO Communication Unit

Two power lines allows simple wiring between units for power supply and input/output communication.

- ▶ Two power lines allows simple wiring between units for power supply and input communication.
- ▶ Input signal reception with sink/source specifications.
- ▶ Two types according to the number of input/output points: 16 points (8/8) and 32 points (16/16).

Specification

	E-PCIO-Unit16	E-PCIO-Unit32
Power supply voltage	DC24V (±10%)	
System consumption current	2A or less	
Internal consumption current	100mA or less (DC24V)	180mA or less (DC24V)
Output current	100mA (Max) / one point	50mA (Max) / one point
Input current	5mA or less / one point	
Operating ambient humidity	35% - 80% (non-condensing)	
Operating ambient temperature	0° C - 40° C	
Operation condition	No particulate and corrosive gas	



E-PCIO-UNIT 16

Order code No.	152312
Standard	E-PCIO-UNIT 16

• Weight: 97g

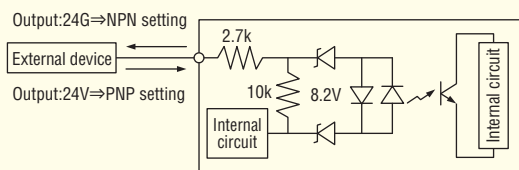
E-PCIO-UNIT 32

Order code No.	152313
Standard	E-PCIO-UNIT 32

• Weight: 131g

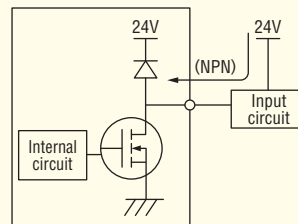
Input circuit configuration

Input switch



* Change the switch setting according to your output specifications referring to the above drawing.

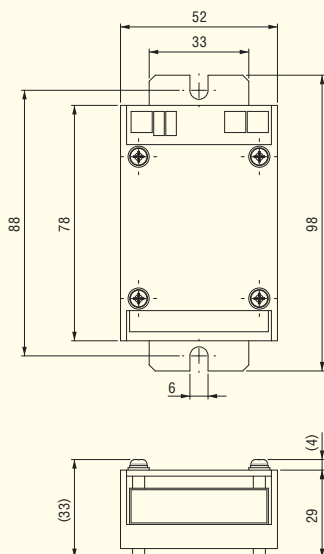
Configuration of output circuit



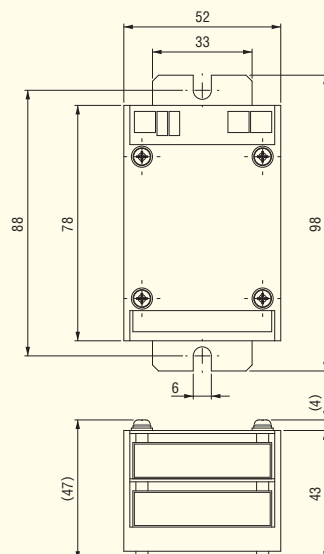
* Only NPN is used for the output specification of the unit.

Outside dimension / Mounting dimension

E-PCIO-UNIT 16



E-PCIO-UNIT 32



PCIO communication harness (03)

Order code No.	152314
Standard	E-PCIO-HNS 03

• Harness length: 300 mm



PCIO mark tube

Order code No.	041770
Standard	E-PCIO-MKT SET

• 2 set

Quick Chuck Change

Quick Chuck Change (Manual)

Tool Changer

Automated Chuck Exchange System

Grip

Mini Cylinder

Accessories for Mini Cylinder

Container Cylinders

Accessories for Container Cylinder

Grippers

Buffer Material

Suction

Suction Cups

Suction Stem

Pad in Pad

Air Ejector / Filter / Check Valve

Micro Mold E.O.A.T

Cut

Mini Air Nippers

Air Nippers

Frame/Module

Jungle Gym

Let's Joint

Rectangular Tube

Base Aluminum Material

Sliding Chuck

Tubing/Sensors

Tubing

Sensors

Other Products

Others

Information

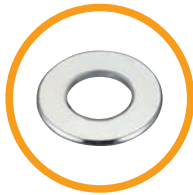


Bolt / Nut / Washer

Used to fix parts.



Nut class 1



Flat washer



Spring washer



Flat head screw
w/ hexagon socket



Pan-head small screw
w/ cross recessed



Bolt with hexagon socket
w/ SW, Flat washer,
Trivalent white

	Product name	Order code No.	Standard
1	Pan-head small screw w/ cross recessed	123449	M3*16
2	Bolt with hexagon socket w/ SW, Flat washer, Trivalent white	122812	M4*12 (E)
3	Bolt with hexagon socket w/ SW, Flat washer, Trivalent white	122821	M6*15 (E)
4	Bolt with hexagon socket w/ SW, Flat washer, Trivalent white	122822	M6*20 (E)
5	Flat head screw w/ hexagon socket	122785	M4*8
6	Flat head screw w/ hexagon socket	122786	M6*10
7	Small flat head small screw w/ cross recessed	122787	M2.5*16
8	Flat head screw w/ cross recessed (Stainless steel)	123515	M4*10
9	Flat head screw w/ cross recessed	371193	M4*12
10	Pan-head small screw w/ cross recessed	123446	BKJ3-6 (M3*6)
11	Pan-head small screw w/ cross recessed	123447	BKJ3-10 (M3*10)
12	Pan-head small screw w/ cross recessed (Stainless steel)	123448	NKJ2.6-5 (M2.6*5)
13	Spring washer	122775	M6
14	Spring washer	122776	M8
15	Flat washer	122780	M6
16	Flat washer	122781	M8
17	Hexagon nut (M3)	123301	M3
18	Nut class 1	122782	M6
19	Nut class 1	122783	M8